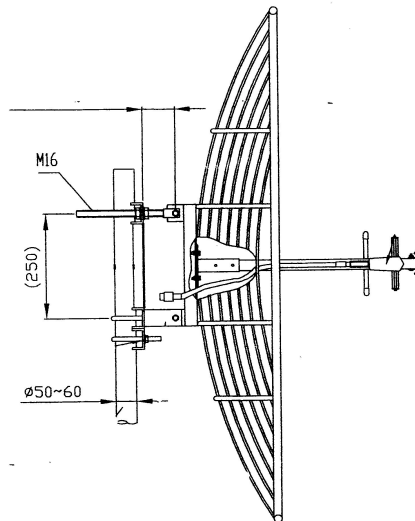




### NLOS Series GridPak Antenna 806 to 960 MHz

#### INSTALLATION

1. Refer below for typical mounting configuration. [Shown for vertical polarisation]



2. Align antenna to donor source, and adjust both vertically and horizontally for maximum received signal strength. [A phone with an adapter cable in 'Engineering Mode' on an originating call is a good tool to use if a Spectrum/Network Analyser cannot be lifted up pole and connected to antenna].
3. It is recommended to install back grid to mounting pole first before assembling boom. This is because the back grid of the antenna is heavy and it's weight can cause

the boom to be damaged if the antenna swings during lifting and the boom hits the mounting pole or ground.

4. Ensure tail of feeder to connection to the antenna tail is appropriately weather sealed.